

POLARIS UTILITY PRODUCTS

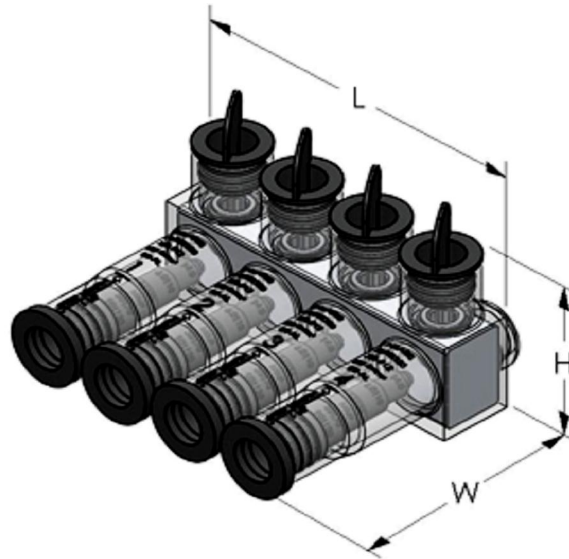
Clear Submersible Pedestal Connectors

TYPE: IPLWC

- Manufactured from high strength 6061-T6 aluminum alloy to provide premium electrical and mechanical performance
- Encapsulated in Rubber with a nominal thickness of 125 mils and a dielectric strength of 240v per mil
- Specified with radial tipped set screws to reduce conductor strand damage
- Insulation is clear allowing easier installation
- Meets or exceeds ANSI C119.4 Class A specifications
- Range Taking design reduces inventory
- Rated for 600 Volts



Rocket is used for
Wire Range
250 - #12



Catalog Number	Number of Ports	Wire Range AWG	Wire Range MM	Hex size	Dimensions, Inches		
					H	W	L
IPLWC350-3P	3	350 - 12	185 - 16	5/16	2.46	4.06	3.63
IPLWC350-4P	4	350 - 12	185 - 16	5/16	2.46	4.06	4.75
IPLWC350-6P	6	350 - 12	185 - 16	5/16	2.46	4.06	7.00

*IPLWB350 is used without Rockets for wire sizes 350 - 300KCMIL

OPTIONS:

A - Anodized Set Screws

For Omission of Oxide Inhibitor delete suffix "P"

Example:

IPLWC350-3AP (Anodized Set Screws with Oxide Inhibitor)

IPLWC350-3 (No Oxide Inhibitor)